

1 2 3 4 5 6 7 8 9 10

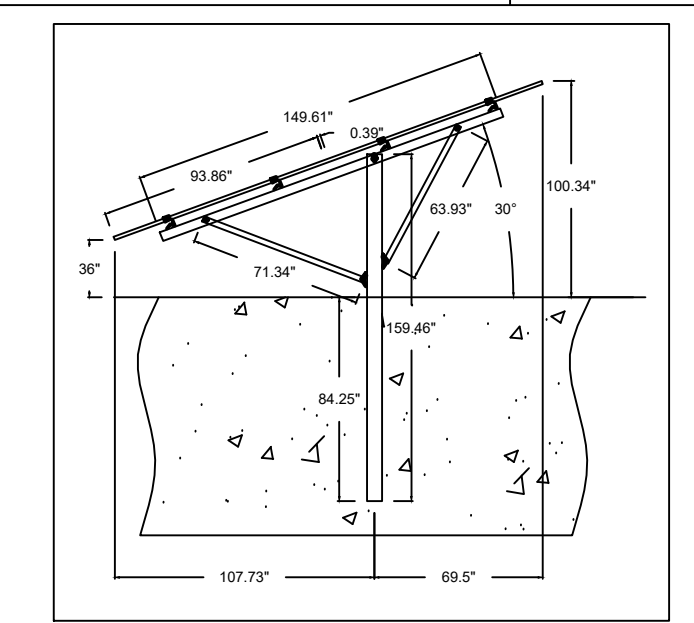
A

COMED FEEDER NUMBER B182

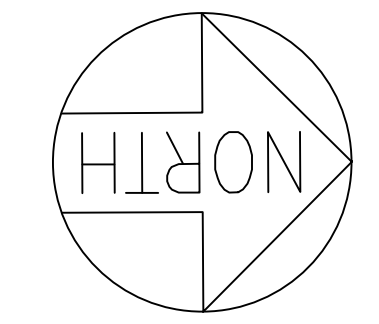
ACRES
9.9

PARCEL #
02-33-300-006

IMPERVIOUS AREA CALCULATIONS:
 I-BEAM AREA: 0.014375 SQFT
 I-BEAM # 744
 SWITCHGEAR PAD AREA: 55 SQFT
 ROAD AREA: 17,002 SQFT
TOTAL IMPERVIOUS AREA:
 0.014375 x 744 + 55 + 17,002
 = 17,068 SQFT
 = **0.392 ACRES**



2 RACK SIDE VIEW



KACHI ENERGY
 1275 DAVIS RD STE 110
 ELGIN, IL 60123

THESE DRAWINGS MAY HAVE BEEN REPRODUCED AT A SIZE DIFFERENT THAN ORIGINALLY DRAWN. OWNER AND ARCHITECT ASSUME NO RESPONSIBILITY FOR USE OF INCORRECT SCALE.

DO NOT SCALE DRAWINGS.

SYSTEM SIZE DC	2.43 MW
SYSTEM SIZE AC	2.2 MW
PROJECT NO.	
TOTAL NO. MODULES	3,472

PROJECT NAME AND ADDRESS:
3 A SOLAR FARM
 GREEN RD
 HARVARD, IL 60033

B

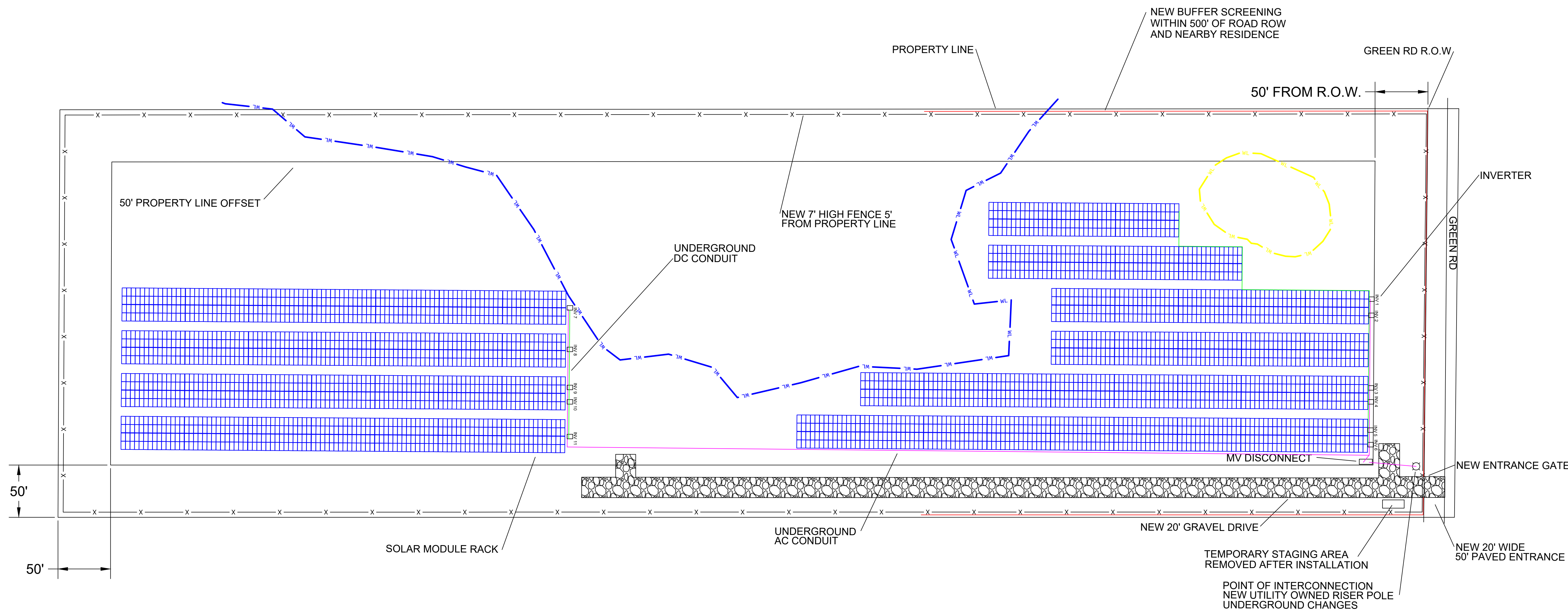
C

D

E

F

G



— WL — SURVEYED WETLAND
 — WL — SURVEYED POND WETLAND

1 SITE PLAN

PROFESSIONAL CERTIFICATION HEREBY CERTIFY THAT THESE DOCUMENTS WERE PREPARED OR APPROVED BY ME AND THAT I AM A DULY LICENSED PROFESSIONAL ENGINEER UNDER THE LAWS OF THE STATE OF ILLINOIS

PAPER SIZE 24" X 36"

REV	DESCRIPTION	DATE
--	---	--
--	---	--
--	---	--
1	AHJ COMMENTS	2/11/26
DESIGNED BY:	KEN VOJTIK	12/10/25
DRAWN BY:	KEN VOJTIK	12/10/25
REVIEWED BY:	ASAD BAJWA	12/10/25
SCALE:		

DRAWING TITLE:
SITE PLAN

DRAWING NUMBER:
GA-300

1 2 3 4 5 6 7 8 9 10